



ISO9001

RoHS

Reach



**LISTINO PREZZI**

**03 2024**



**PRICE LIST**



**FASCETTE - CLAMPS**

**PI CLAMP**



by

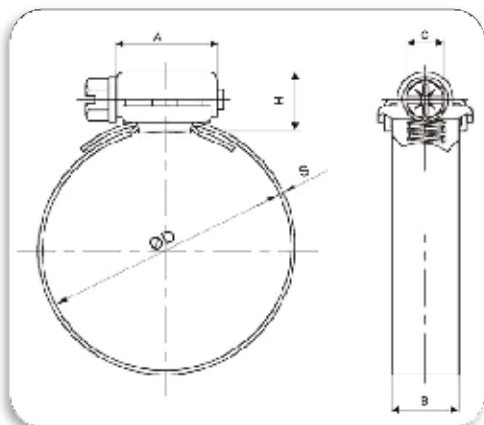
**INDICE**  
**INDEX**

---

	Pag.
Fascette a banda piena DIN 3017 W1 W2 W4 <i>DIN 3017 Hose clamp full band material W1 W2 W4</i> .....	2 - 5
Fascette a banda perforata DIN 3017 W2 W4 <i>DIN 3017 Hose clamp with perforated band material W2 W4</i> .....	6 - 10
Fascetta metrica W2 W4 <i>Metric clamp W2 W4</i> .....	11
Collari stringitubo con bullone W1 W4 <i>T Bolt clamp W1 W4</i> .....	12 - 14
Mini clamp W1 - Fascette ad orecchie W1 <i>Mini clamp W1 - Two ear clamp W1</i> .....	15 - 16
Condizioni generali di vendita <i>General conditions of sale</i> .....	17 - 18

Le fascette a banda piena da 9 e 12 mm e sono realizzate secondo la normativa DIN 3017. La vite di regolazione è racchiusa in un particolare cassetto, il quale assicura una forte tenuta con basse coppie di serraggio, la banda ha bordi arrotondati per evitare il danneggiamento della tubazione durante il serraggio.

The clamps a full band from 9 to 12 mm and are made according to DIN 3017. The regulation screw is enclosed in a particular housing, which ensures a strong seal with low torques, the band has rounded edges to prevent damage to the tube during the tightening.



**Caratteristiche dei materiali:**

- W1** Banda e cassetto e vite in acciaio zincato \*
- W2** Banda e cassetto in acciaio INOX 430, vite in acciaio zincato \*
- W4** Banda, cassetto e vite acciaio INOX 304

\* Zincatura bianca esente cromo EU RoHS

**Materials characteristics:**

- W1** Band, housing and screw in galvanized steel \*
- W2** Band and housing in stainless steel INOX 430, screw in galvanized steel \*
- W4** Band, housing and screw in stainless steel INOX 304

\* white zinc plated free chromium EU RoHS

**Campi di impiego:**

- W1**
  - Agricoltura
  - Automotive
  - Elettrodomestici
  - Termoidraulica
  - Ferramenta
  - Industria
- W2**
- W4**
  - Industria petrolifera
  - Industria navale
  - Industria alimentare
  - Industria chimica

**Field of use:**

- W1**
  - Agriculture
  - Automotive
  - Home appliances
  - Thermoidraulic
  - Hardware
  - Industry
- W2**
- W4**
  - Petroleum industry
  - Marine industry
  - Food industry
  - Chemical industry

Codice Code	Diametro Diameter	Banda Band	Vite Screw	Serraggio Torque	Imballo Box	Prezzo € Pz
	mm	mm	mm	Nm	Pz/pcs	€/pc
FAW10908	8 - 12	9	7	3,5	100	0,880
FAW10910	10 - 16	9	7	3,5	100	0,880
FAW10912	12 - 20	9	7	3,5	100	0,898
FAW10916	16 - 25	9	7	3,5	100	0,935
FAW10920	20 - 32	9	7	3,5	100	1,026
FAW10925	25 - 40	9	7	3,5	100	1,118
FAW10932	32 - 50	9	7	3,5	50	1,151
FAW10940	40 - 60	9	7	3,5	50	1,279
FAW10950	50 - 70	9	7	3,5	50	1,334
FAW10960	60 - 80	9	7	3,5	50	1,389
FAW10970	70 - 90	9	7	3,5	25	1,551

**W1**



FAW112016	16 - 25	12	7	5,0	100	1,188
FAW112020	20 - 32	12	7	5,0	100	1,262
FAW112025	25 - 40	12	7	5,0	100	1,352
FAW112032	32 - 50	12	7	5,0	50	1,498
FAW112040	40 - 60	12	7	5,0	50	1,572
FAW112050	50 - 70	12	7	5,0	50	1,700
FAW112060	60 - 80	12	7	5,0	50	1,737
FAW112070	70 - 90	12	7	5,0	25	1,872
FAW112080	80 - 100	12	7	5,0	25	1,963
FAW112090	90 - 110	12	7	5,0	25	2,053
FAW112100	100 - 120	12	7	5,0	25	2,139
FAW112110	110 - 130	12	7	5,0	25	2,346
FAW112120	120 - 140	12	7	5,0	25	2,496
FAW112130	130 - 150	12	7	5,0	25	2,967
FAW112140	140 - 160	12	7	5,0	25	3,046
FAW112150	150 - 170	12	7	5,0	25	3,114
FAW112160	160 - 180	12	7	5,0	25	3,340
FAW112170	170 - 190	12	7	5,0	25	3,418
FAW112180	180 - 200	12	7	5,0	25	3,655
FAW112200	200 - 220	12	7	5,0	25	3,802
FAW112210	210 - 230	12	7	5,0	25	3,870
FAW112230	230 - 250	12	7	5,0	25	4,039
FAW112250	250 - 270	12	7	5,0	25	4,344
FAW112270	270 - 290	12	7	5,0	25	4,513
FAW112290	290 - 310	12	7	5,0	25	5,155

Codice Code	Diametro Diameter	Banda Band	Vite Screw	Serraggio Torque	Imballo Box	Prezzo € Pz
	mm	mm	mm	Nm	Pz/pcs	€/pc
FAW20507	7 - 11	5	7	3,8	100	1,623
FAW20908	8 - 12	9	7	5,0	100	1,02
FAW20910	10 - 16	9	7	5,0	100	1,02
FAW20912	12 - 20	9	7	5,0	100	1,038
FAW20916	16 - 25	9	7	5,0	100	1,076
FAW20920	20 - 32	9	7	5,0	100	1,24
FAW20925	25 - 40	9	7	5,0	100	1,313
FAW20932	32 - 50	9	7	5,0	50	1,411
FAW20940	40 - 60	9	7	5,0	50	1,567
FAW20950	50 - 70	9	7	5,0	50	1,626
FAW20960	60 - 80	9	7	5,0	50	1,699
FAW20970	70 - 90	9	7	5,0	50	1,779

**W2**



FAW212016	16 - 25	12	7	6,5	100	1,370
FAW212020	20 - 32	12	7	6,5	100	1,517
FAW212025	25 - 40	12	7	6,5	100	1,608
FAW212032	32 - 50	12	7	6,5	50	1,755
FAW212040	40 - 60	12	7	6,5	50	1,883
FAW212050	50 - 70	12	7	6,5	50	2,010
FAW212060	60 - 80	12	7	6,5	50	2,084
FAW212070	70 - 90	12	7	6,5	25	2,290
FAW212080	80 - 100	12	7	6,5	25	2,448
FAW212090	90 - 110	12	7	6,5	25	2,559
FAW212100	100 - 120	12	7	6,5	25	2,668
FAW212110	110 - 130	12	7	6,5	25	2,922
FAW212120	120 - 140	12	7	6,5	25	3,035
FAW212130	130 - 150	12	7	6,5	25	3,655
FAW212140	140 - 160	12	7	6,5	25	3,757
FAW212150	150 - 170	12	7	6,5	25	3,858
FAW212160	160 - 180	12	7	6,5	25	4,129
FAW212170	170 - 190	12	7	6,5	25	4,242
FAW212180	180 - 200	12	7	6,5	25	4,557

<b>Codice</b> <i>Code</i>	<b>Diametro</b> <i>Diameter</i>	<b>Banda</b> <i>Band</i>	<b>Vite</b> <i>Screw</i>	<b>Serraggio</b> <i>Torque</i>	<b>Imballo</b> <i>Box</i>	<b>Prezzo</b> <i>€ Pz</i>
	mm	mm	mm	Nm	Pz/pcs	€/pc
FAW40908	8 - 12	9	7	5,0	100	1,919
FAW40910	10 - 16	9	7	5,0	100	1,975
FAW40912	12 - 20	9	7	5,0	100	1,992
FAW40916	16 - 25	9	7	5,0	100	2,053
FAW40920	20 - 32	9	7	5,0	100	2,336
FAW40925	25 - 40	9	7	5,0	100	2,482
FAW40932	32 - 50	9	7	5,0	50	2,685
FAW40940	40 - 60	9	7	5,0	50	2,832
FAW40950	50 - 70	9	7	5,0	50	3,000

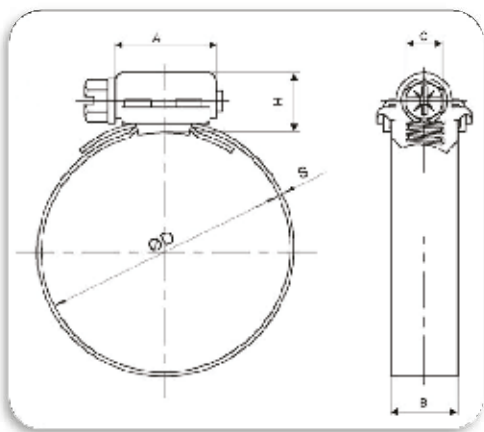
**W4**



FAW412016	16 - 25	12	7	6,5	100	2,561
FAW412020	20 - 32	12	7	6,5	100	2,707
FAW412025	25 - 40	12	7	6,5	100	2,906
FAW412032	32 - 50	12	7	6,5	50	3,159
FAW412040	40 - 60	12	7	6,5	50	3,384
FAW412050	50 - 70	12	7	6,5	50	3,621
FAW412060	60 - 80	12	7	6,5	50	4,016
FAW412070	70 - 90	12	7	6,5	25	4,355
FAW412080	80 - 100	12	7	6,5	25	4,569
FAW412090	90 - 110	12	7	6,5	25	4,794
FAW412100	100 - 120	12	7	6,5	25	5,009
FAW412110	110 - 130	12	7	6,5	25	5,066
FAW412120	120 - 140	12	7	6,5	25	5,810
FAW412130	130 - 150	12	7	6,5	25	6,499
FAW412140	140 - 160	12	7	6,5	25	6,713
FAW412150	150 - 170	12	7	6,5	25	6,916
FAW412160	160 - 180	12	7	6,5	25	7,299
FAW412170	170 - 190	12	7	6,5	25	7,536
FAW412180	180 - 200	12	7	6,5	25	8,122

Le fascette a banda perforata da 8 e 113 mm e sono realizzate secondo la normativa DIN 3017. La vite di regolazione è racchiusa in un particolare cassetto, il quale assicura una forte tenuta con basse coppie di serraggio, la banda ha bordi arrotondati per evitare il danneggiamento della tubazione durante il serraggio.

The clamps a perforated band from 8 to 13 mm and are made according to DIN 3017. The regulation screw is enclosed in a particular housing, which ensures a strong seal with low torques, the band has rounded edges to prevent damage to the tube during the tightening.



**Caratteristiche dei materiali:**

**Materials characteristics:**

**W2** Banda e cassetto in acciaio INOX 430, vite in acciaio zincato \*

**W2** Band and housing in stainless steel INOX 430, screw in galvanized steel \*

**W4** Banda, cassetto e vite acciaio INOX 304

**W4** Band, housing and screw in stainless steel INOX 304

\* Zincatura bianca esente cromo EU RoHS

\* white zinc plated free chromium EU RoHS

**Campi di impiego:**

**Field of use:**

**W2**

- Agricoltura
- Automotive
- Elettrodomestici
- Termoidraulica
- Ferramenta
- Industria

**W2**

- Agriculture
- Automotive
- Home appliances
- Thermoidraulic
- Hardware
- Industry

**W4**

- Industria petrolifera
- Industria navale
- Industria alimentare
- Industria chimica

**W4**

- Petroleum industry
- Marine industry
- Food industry
- Chemical industry

<b>Codice</b> <i>Code</i>	<b>Diametro</b> <i>Diameter</i>	<b>Banda</b> <i>Band</i>	<b>Vite</b> <i>Screw</i>	<b>Serraggio</b> <i>Torque</i>	<b>Imballo</b> <i>Box</i>	<b>Prezzo</b> <i>€ Pz</i>
	mm	mm	mm	Nm	Pz/pcs	€/pc
FAW208008	8 - 12	8	7	4	100	1,132
FAW208010	10 - 16	8	7	4	100	1,167
FAW208012	12 - 22	8	7	4	100	1,205
FAW208014	14 - 24	8	7	4	100	1,260
FAW208016	16 - 28	8	7	4	100	1,297
FAW208020	20 - 32	8	7	4	100	1,354
FAW208023	23 - 36	8	7	4	50	1,390
FAW208025	25 - 45	8	7	4	50	1,557
FAW208032	32 - 52	8	7	4	50	1,631
FAW208040	40 - 60	8	7	4	50	1,704
FAW208047	47 - 67	8	7	4	25	1,799
FAW208060	60 - 82	8	7	4	25	1,872
FAW208077	77 - 97	8	7	4	25	2,002
FAW208090	90 - 112	8	7	4	25	2,187
FAW208107	107 - 127	8	7	4	25	2,191
FAW208122	122 - 142	8	7	4	25	2,207
FAW208137	137 - 157	8	7	4	25	2,223
FAW208152	152 - 172	8	7	4	25	2,354
FAW208167	167 - 187	8	7	4	25	2,464
FAW208182	182 - 202	8	7	4	25	2,630
FAW208197	197 - 217	8	7	4	25	2,816
FAW208212	212 - 232	8	7	4	25	3,039
FAW208227	227 - 247	8	7	4	25	3,225
FAW208242	242 - 262	8	7	4	25	3,391

**W2 - 8**





<b>Codice</b> <i>Code</i>	<b>Diametro</b> <i>Diameter</i>	<b>Banda</b> <i>Band</i>	<b>Vite</b> <i>Screw</i>	<b>Serraggio</b> <i>Torque</i>	<b>Imballo</b> <i>Box</i>	<b>Prezzo</b> <i>€ Pz</i>
	mm	mm	mm	Nm	Pz/pcs	€/pc
FAW213014	14 - 22	13	7	6	50	2,223
FAW213016	16 - 28	13	7	6	50	2,298
FAW213023	23 - 36	13	7	6	50	2,464
FAW213025	25 - 45	13	7	6	50	2,577
FAW213032	32 - 52	13	7	6	50	2,743
FAW213040	40 - 60	13	7	6	25	3,021
FAW213047	47 - 67	13	7	6	25	3,095
FAW213060	60 - 82	13	7	6	25	3,410
FAW213077	77 - 97	13	7	6	25	3,651
FAW213090	90 - 112	13	7	6	25	3,927
FAW213107	107 - 127	13	7	6	25	3,941
FAW213120	120 - 142	13	7	6	25	3,965
FAW213137	137 - 157	13	7	6	25	4,262
FAW213150	150 - 172	13	7	6	25	4,557
FAW213167	167 - 187	13	7	6	25	4,874
FAW213180	180 - 202	13	7	6	25	5,152
FAW213197	197 - 217	13	7	6	25	5,448
FAW213212	212 - 232	13	7	6	25	5,764
FAW213227	227 - 247	13	7	6	25	6,059
FAW213242	242 - 262	13	7	6	25	6,356

**W2 - 13**



<b>Codice</b> <i>Code</i>	<b>Diametro</b> <i>Diameter</i>	<b>Banda</b> <i>Band</i>	<b>Vite</b> <i>Screw</i>	<b>Serraggio</b> <i>Torque</i>	<b>Imballo</b> <i>Box</i>	<b>Prezzo</b> <i>€ Pz</i>
	mm	mm	mm	Nm	Pz/pcs	€/pc
FAW408008	8 - 12	8	7	4	100	1,561
FAW408010	10 - 16	8	7	4	100	1,619
FAW408012	12 - 22	8	7	4	100	1,658
FAW408014	14 - 24	8	7	4	100	1,697
FAW408016	16 - 28	8	7	4	100	1,755
FAW408020	20 - 32	8	7	4	100	1,794
FAW408023	23 - 36	8	7	4	50	1,853
FAW408025	25 - 45	8	7	4	50	2,009
FAW408032	32 - 52	8	7	4	50	2,107
FAW408040	40 - 60	8	7	4	50	2,203
FAW408047	47 - 67	8	7	4	25	2,301
FAW408060	60 - 82	8	7	4	25	2,379
FAW408077	77 - 97	8	7	4	25	2,536
FAW408090	90 - 112	8	7	4	25	2,673
FAW408107	107 - 127	8	7	4	25	2,676
FAW408122	122 - 142	8	7	4	25	2,681
FAW408137	137 - 157	8	7	4	25	2,691
FAW408152	152 - 172	8	7	4	25	2,808
FAW408167	167 - 187	8	7	4	25	2,926
FAW408182	182 - 202	8	7	4	25	3,121
FAW408197	197 - 217	8	7	4	25	3,315
FAW408212	212 - 232	8	7	4	25	3,531
FAW408227	227 - 247	8	7	4	25	3,744
FAW408242	242 - 262	8	7	4	25	3,959

**W4 - 8**



<b>Codice</b> <i>Code</i>	<b>Diametro</b> <i>Diameter</i>	<b>Banda</b> <i>Band</i>	<b>Vite</b> <i>Screw</i>	<b>Serraggio</b> <i>Torque</i>	<b>Imballo</b> <i>Box</i>	<b>Prezzo</b> <i>€ Pz</i>
	mm	mm	mm	Nm	Pz/pcs	€/pc
FAW413014	14 - 22	13	7	6	50	3,335
FAW413016	16 - 28	13	7	6	50	3,413
FAW413023	23 - 36	13	7	6	50	3,531
FAW413025	25 - 45	13	7	6	50	3,881
FAW413032	32 - 52	13	7	6	50	4,038
FAW413040	40 - 60	13	7	6	25	4,212
FAW413047	47 - 67	13	7	6	25	4,428
FAW413060	60 - 82	13	7	6	25	4,739
FAW413077	77 - 97	13	7	6	25	4,915
FAW413090	90 - 112	13	7	6	25	5,149
FAW413107	107 - 127	13	7	6	25	5,157
FAW413120	120 - 142	13	7	6	25	5,193
FAW413137	137 - 157	13	7	6	25	5,246
FAW413150	150 - 172	13	7	6	25	5,695
FAW413167	167 - 187	13	7	6	25	6,182
FAW413180	180 - 202	13	7	6	25	6,650
FAW413197	197 - 217	13	7	6	25	7,119
FAW413212	212 - 232	13	7	6	25	7,606
FAW413227	227 - 247	13	7	6	25	8,074
FAW413242	242 - 262	13	7	6	25	8,542

**W4 - 13**



Fascetta metrica a banda perforata disponibile in W2 e W4 da 8 e 14 mm ( 30 mt ), in W2 e W4 da 8 e 14 mm ( 3 mt + carrelli ), La banda ha bordi arrotondati per evitare il danneggiamento della tubazione durante il serraggio.  
Disponibile anche in W2 - W4 banda piena 9mm

Metric clamps with perforated band available in W2 and W4 ,8 and 14mm width ( 30 mt) or W2 and W4, 8 and 14 mm width( 3 mt + Housings)  
The band has rounded edges to prevent damage to the tube during the tightening.  
Available also in W2-W4 full band 9mm



**Caratteristiche dei materiali:**

**W2**

Banda e cassetto in acciaio INOX 430, vite in acciaio zincato \*

**W4**

Banda, cassetto e vite acciaio INOX 304

**Materials characteristics:**

**W2**

Band and housing in stainless steel INOX 430, screw in galvanized steel \*

**W4**

Band, housing and screw in stainless steel INOX 304

\* Zincatura bianca esente cromo EU RoHS

\* white zinc plated free chromium EU RoHS

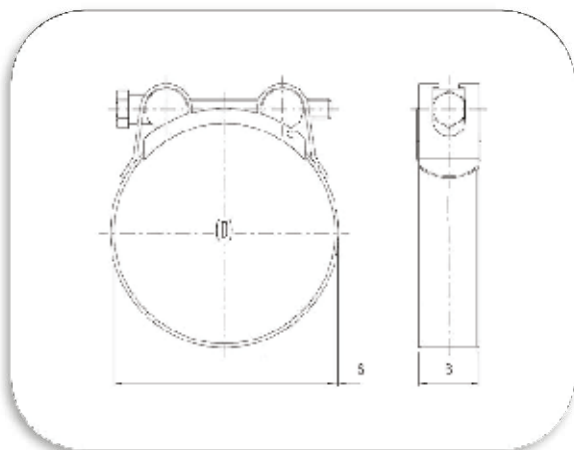
Codice Code	Tipo Type	Banda Band	Carrello Housing	Imballo Box	Prezzo € Pz
	mm	mm	n°	Mt/Mt	€/pc
FAWMETRICAW208	W2	8	-	30	413,655
FAWMETRICAW209	W2	9 Piena	-	30	125,350
FAWMETRICAW214	W2	14	-	30	423,200
FAWMETRICAW408	W4	8	-	30	427,110
FAWMETRICAW409	W4	9 Piena	-	30	227,700
FAWMETRICAW414	W4	14	-	30	471,500
FAWMETRICAKITW208	W2	8	8	3	41,446
FAWMETRICAKITW214	W2	14	6	3	66,436
FAWMETRICAKITW408	W4	8	8	3	48,760
FAWMETRICAKITW414	W4	14	6	3	74,359

**CARRELLI / HOUSING**

FAWMETRICACARW208	W2	8	-	50	1,921
FAWMETRICACARW408	W4	8	-	50	3,462
FAWMETRICACARW209	W2	9	-	50	2,312
FAWMETRICACARW409	W4	9	-	50	4,623
FAWMETRICACARW214	W2	14	-	50	4,037
FAWMETRICACARW414	W4	14	-	50	5,152

I collari stringitubo con bullone a banda piena sono realizzati secondo la Norma DIN 3017. Il bullone di chiusura assicura una forte tenuta con basse coppie di serraggio, la banda ha bordi arrotondati per evitare il danneggiamento della tubazione durante il serraggio.

T Bolt clamps a full band from 9 to 12 mm and are made according to DIN 3017. The locking bolt ensures a strong seal with low torques, the band has rounded edges to prevent damage to the tube during the tightening.



**Caratteristiche dei materiali:**

**Materials characteristics:**

- W1** Banda e cassetto e vite in acciaio zincato \*
- W4** Banda, cassetto e vite acciaio INOX 304

- W1** Band, housing and screw in galvanized steel \*
- W4** Band, housing and screw in stainless steel INOX 304

\* Zincatura bianca esente cromo EU RoHS

\* white zinc plated free chromium EU RoHS

**Campi di impiego:**

**Field of use:**

- W1**
  - Agricoltura
  - Automotive
  - Elettrodomestici
  - Termoidraulica
  - Ferramenta
  - Industria
- W4**
  - Industria petrolifera
  - Industria navale
  - Industria alimentare
  - Industria chimica

- W1**
  - Agriculture
  - Automotive
  - Home appliances
  - Thermoidraulic
  - Hardware
  - Industry
- W4**
  - Petroleum industry
  - Marine industry
  - Food industry
  - Chemical industry

Codice Code	Diametro Diameter	Banda Band	Vite Screw	Serraggio Torque	Imballo Box	Prezzo € Pz
	mm	mm	mm	Nm	Pz/pcs	€/pc
FAWIND017	17 - 19	18 x 0,4	M5 X 40	5,0	200	3,098
FAWIND020	20 - 22	18 x 0,4	M5 X 40	5,0	200	3,133
FAWIND023	23 - 25	18 x 0,6	M5 X 40	5,0	200	3,149
FAWIND026	26 - 28	18 x 0,6	M5 X 40	5,0	200	3,183
FAWIND029	29 - 31	20 x 0,6	M6 X 50	8,0	200	3,716
FAWIND032	32 - 35	20 x 0,6	M6 X 50	8,0	200	3,765
FAWIND036	36 - 39	20 x 0,6	M6 X 50	8,0	200	3,848
FAWIND040	40 - 43	20 x 0,6	M6 X 50	8,0	200	3,899
FAWIND044	44 - 47	22 x 0,8	M6 X 60	8,0	100	4,698
FAWIND048	48 - 51	22 x 0,8	M6 X 60	8,0	100	4,799
FAWIND052	52 - 55	22 x 0,8	M6 X 60	8,0	100	4,899
FAWIND056	56 - 59	22 x 0,8	M6 X 60	8,0	100	4,965
FAWIND060	60 - 63	22 x 0,8	M6 X 60	8,0	100	5,047
FAWIND064	64 - 67	22 x 0,8	M8 X 75	25,0	100	6,239
FAWIND068	68 - 73	24 x 0,8	M8 X 75	25,0	100	7,73
FAWIND074	74 - 79	24 x 0,8	M8 X 75	25,0	100	7,95
FAWIND080	80 - 85	24 x 0,8	M8 X 75	25,0	100	8,132
FAWIND086	86 - 91	24 x 0,8	M8 X 75	25,0	100	8,351
FAWIND092	92 - 97	24 x 0,8	M8 X 75	25,0	100	8,57
FAWIND098	98 - 103	24 x 0,8	M8 X 80	25,0	100	8,937
FAWIND104	104 - 112	24 x 0,8	M8 X 80	25,0	50	9,209
FAWIND113	113 - 121	24 x 0,8	M8 X 80	25,0	50	9,447
FAWIND122	122 - 130	24 x 0,8	M8 X 80	25,0	50	9,776
FAWIND131	131 - 139	26 x 1	M10 X 105	50,0	50	12,579
FAWIND140	140 - 148	26 x 1	M10 X 106	50,0	50	12,85
FAWIND149	149 - 161	26 x 1	M10 X 107	50,0	50	13,651
FAWIND162	162 - 174	26 x 1	M10 X 108	50,0	25	15,343
FAWIND175	175 - 187	26 x 1	M10 X 109	50,0	25	15,749
FAWIND188	188 - 200	26 x 1	M10 X 110	50,0	25	16,189
FAWIND201	201 - 213	26 x 1	M10 X 111	50,0	25	16,573
FAWIND214	214 - 226	26 x 1	M10 X 112	50,0	25	17,204
FAWIND227	227 - 239	26 x 1	M10 X 113	50,0	25	17,938
FAWIND240	240 - 252	26 x 1	M10 X 114	50,0	20	18,344

**W1**



Codice Code	Diametro Diameter	Banda Band	Vite Screw	Serraggio Torque	Imballo Box	Prezzo € Pz
	mm	mm	mm	Nm	Pz/pcs	€/pc
FAWINDW4017	17 - 19	18 x 0,4	M5 X 40	5,0	200	10,015
FAWINDW4020	20 - 22	18 x 0,4	M5 X 40	5,0	200	10,171
FAWINDW4023	23 - 25	18 x 0,6	M5 X 40	5,0	200	10,305
FAWINDW4026	26 - 28	18 x 0,6	M5 X 40	5,0	200	10,478
FAWINDW4029	29 - 31	20 x 0,6	M6 X 50	8,0	200	13,092
FAWINDW4032	32 - 35	20 x 0,6	M6 X 50	8,0	200	13,299
FAWINDW4036	36 - 39	20 x 0,6	M6 X 50	8,0	200	13,503
FAWINDW4040	40 - 43	20 x 0,6	M6 X 50	8,0	200	13,69
FAWINDW4044	44 - 47	22 x 0,8	M6 X 60	8,0	100	14,579
FAWINDW4048	48 - 51	22 x 0,8	M6 X 60	8,0	100	14,921
FAWINDW4052	52 - 55	22 x 0,8	M6 X 60	8,0	100	15,263
FAWINDW4056	56 - 59	22 x 0,8	M6 X 60	8,0	100	15,57
FAWINDW4060	60 - 63	22 x 0,8	M6 X 60	8,0	100	15,913
FAWINDW4064	64 - 67	22 x 0,8	M8 X 75	15,0	100	16,618
FAWINDW4068	68 - 73	24 x 0,8	M8 X 75	25,0	100	20,468
FAWINDW4074	74 - 79	24 x 0,8	M8 X 75	25,0	100	20,966
FAWINDW4080	80 - 85	24 x 0,8	M8 X 75	25,0	100	21,43
FAWINDW4086	86 - 91	24 x 0,8	M8 X 75	25,0	100	21,911
FAWINDW4092	92 - 97	24 x 0,8	M8 X 75	25,0	100	22,41
FAWINDW4098	98 - 103	24 x 0,8	M8 X 80	25,0	100	22,892
FAWINDW4104	104 - 112	24 x 0,8	M8 X 80	25,0	50	23,39
FAWINDW4113	113 - 121	24 x 0,8	M8 X 80	25,0	50	23,838
FAWINDW4122	122 - 130	24 x 0,8	M8 X 80	25,0	50	24,336
FAWINDW4131	131 - 139	26 x 1	M10 X 105	50,0	50	33,435
FAWINDW4140	140 - 148	26 x 1	M10 X 106	50,0	50	33,985
FAWINDW4149	149 - 161	26 x 1	M10 X 107	50,0	50	34,776
FAWINDW4162	162 - 174	26 x 1	M10 X 108	50,0	25	35,602
FAWINDW4175	175 - 187	26 x 1	M10 X 109	50,0	25	38,525
FAWINDW4188	188 - 200	26 x 1	M10 X 110	50,0	25	39,333
FAWINDW4201	201 - 213	26 x 1	M10 X 111	50,0	25	40,142
FAWINDW4214	214 - 226	26 x 1	M10 X 112	50,0	25	40,968
FAWINDW4227	227 - 239	26 x 1	M10 X 113	50,0	25	42,051
FAWINDW4240	240 - 252	26 x 1	M10 X 114	50,0	20	42,567

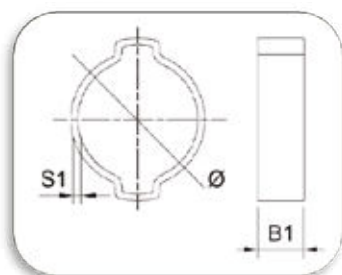
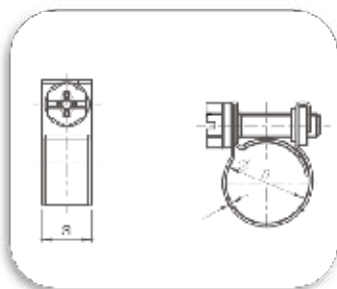
**W4**


La fascetta Mini è indicata per tubi di piccolo diametro e dalle pareti sottili.

La fascetta ad orecchie è indicata per duraturi, economici e veloci serraggi di tubi di piccolo e medio diametro

The Mini Clamp is suitable for small diameter and thin-walled tubes.

The two ears clamp is suitable for durable cheap and fast tightenings of small and medium diameter hoses



**Caratteristiche dei materiali:**



Banda e cassetto e vite in acciaio zincato \*



Band, housing and screw in galvanized steel \*

\* Zincatura bianca esente cromo EU RoHS

\* white zinc plated free chromium EU RoHS

**Campi di impiego:**



- Agricoltura
- Automotive
- Elettrodomestici
- Termoidraulica
- Ferramenta
- Industria



- Agriculture
- Automotive
- Home appliances
- Thermoidraulic
- Hardware
- Industry



Codice Code	Diametro Diameter	Banda Band	Vite Screw	Serraggio Torque	Imballo Box	Prezzo € Pz
	mm	mm	mm	Nm	Pz/pcs	€/pc
FAWMINIW107	7 - 9	9	4	1	100	0,995
FAWMINIW108	8 - 10	9	4	1	100	0,995
FAWMINIW109	9 - 11	9	4	1	100	1,014
FAWMINIW110	10 - 12	9	4	1	100	1,014
FAWMINIW111	11 - 13	9	4	1	100	1,034
FAWMINIW112	12 - 14	9	4	1	100	1,034
FAWMINIW113	13 - 15	9	4	1	100	1,053
FAWMINIW114	14 - 16	9	4	1	100	1,053
FAWMINIW115	15 - 17	9	4	1	100	1,073
FAWMINIW116	16 - 18	9	4	1	100	1,073
FAWMINIW117	17 - 19	9	4	1	100	1,093
FAWMINIW118	18 - 20	9	4	1	100	1,093
FAWMINIW119	19 - 21	9	4	1	100	1,112
FAWMINIW120	20 - 22	9	4	1	100	1,112
FAWMINIW121	21 - 23	9	4	1	100	1,132
FAWMINIW122	22 - 24	9	4	1	100	1,132

**W1**



Codice Code	Diametro min Min Diameter	Diametro max Max Diameter	Banda Band	Imballo Box	Prezzo € Pz
	mm	mm	mm	Pz/pcs	€/pc
FAWORECW10507	5	7	6 x 0,6	100	0,683
FAWORECW10709	7	9	7 x 0,8	100	0,719
FAWORECW10911	9	11	7 x 0,8	100	0,744
FAWORECW11113	11	13	67 x 0,9	100	0,841
FAWORECW11315	13	15	7,5 x 1	100	0,963
FAWORECW11518	15	18	7,5 x 1,2	100	1,060
FAWORECW11720	17	20	7,5 x 1,2	100	1,158
FAWORECW12023	20	23	9 x 1,3	100	1,463
FAWORECW12125	21	25	9 x 1,4	100	1,487
FAWORECW12225	22	25	9 x 1,4	100	1,487
FAWORECW12327	23	27	9 x 1,4	100	1,585
FAWORECW12528	25	28	9 x 1,4	100	1,841
FAWORECW12831	28	31	9 x 1,4	50	2,011
FAWORECW13134	31	34	9 x 1,4	50	2,109
FAWORECW13437	34	37	9 x 1,4	50	2,194
FAWORECW13740	37	40	9x 1,4	50	2,268

**W1**



## **1. ORDINI**

Gli ordini, sia di materiale standard o speciale, devono essere riferiti al listino o alle offerte scritte della PIZZIRANI S.r.l. e sono da ritenersi validi solo dopo l'emissione della relativa conferma d'ordine.

Gli ordini sono impegnativi per il cliente e non possono essere disdetti salvo accordi particolari, e risarcimento dei costi vivi sostenuti.

## **2. PREZZI**

Si intendono quelli in vigore alla data dell'ordine e specificati nella Conferma d'ordine.

Qualora, nel periodo di fornitura si verificassero aumenti dei costi di qualsiasi natura, è facoltà della Soc. PIZZIRANI, previa motivazione dettagliata, adeguare i prezzi sugli ordini in corso.

## **3. TERMINI DI CONSEGNA**

Sono da considerarsi validi i tempi indicativi menzionati nella conferma d'ordine.

In caso di avvenimenti impreveduti (scioperi, maltempo, catastrofi naturali, ed altro) non imputabili alla Soc. Pizzirani, i termini di consegna possono venire prorogati senza che la Soc. Pizzirani sia tenuta a corrispondere indennizzi o rimborsi di ogni tipo. Il cliente in ogni caso ha l'obbligo di ritirare materiale a disegno o a programma concordato.

## **4. SPEDIZIONI**

Il materiale, dove non diversamente specificato, è reso franco ns magazzino, e viaggia a rischio e pericolo del cliente. In caso di spedizione a carico della Soc. Pizzirani, questa si riserva di scegliere il vettore. I reclami per eventuali ammanchi o non corrispondenza delle merci devono essere presentati in forma scritta entro e non oltre 8 giorni dalla data di consegna. Eventuali colli danneggiati devono essere accettati "con riserva".

## **5. IMBALLI**

In assenza di accordi specifici l'imballo è a carico del cliente. Nel caso in cui l'imballo sia a carico della Soc. Pizzirani, è facoltà della stessa determinarne la tipologia e le dimensioni.

## **6. RESI**

Non si accettano resi se non precedentemente autorizzati.

L'eventuale reso sarà a carico del cliente, e a copertura degli oneri di gestione al cliente verrà emessa nota di addebito pari al 15% del valore reso.

## **7. GARANZIA**

La Soc. Pizzirani si impegna a sostituire gratuitamente la merce da essa riconosciuta difettosa, previa verifica del ns servizio tecnico.

La garanzia decade nel caso in cui il materiale non sia stato montato ed utilizzato secondo le norme e le prescrizioni fornite dalla Soc. Pizzirani.

## **8. RESPONSABILITÀ**

La Soc. Pizzirani non assume responsabilità né riconosce indennizzi di alcun tipo per danni che si dovessero verificare durante l'impiego dei suoi prodotti o da essa forniti.

## **9. PAGAMENTI**

Le condizioni di pagamento sono concordate con il cliente ed indicate nella Conferma d'Ordine.

In caso di ritardato pagamento, la Soc. Pizzirani si riserva di sospendere le forniture, e metterà N.D. per interessi di mora al tasso del 3% superiore a quello legale.

Qualsiasi contestazione sulla merce non solleva il cliente dall'obbligo di onorare i pagamenti in corso alle scadenze pattuite.

## **10. PROPRIETÀ**

Tutto il materiale rimane di proprietà della Soc. Pizzirani fino al pagamento completo delle fatture relative al materiale stesso.

## **11. FORO COMPETENTE**

Qualsiasi controversia inerente ai rapporti commerciali con la Soc. Pizzirani, sarà di competenza del Tribunale di Siena.

### **1.ORDERS**

*Orders of standard or special products shall be in accordance with the price list of PIZZIRANI (hereinafter called the "Seller") or in terms of the Seller's written quotations; they shall become binding after the Seller has confirmed the order. The Seller's confirmation of order cannot be cancelled unless by special agreement, whereby charges for such cancellation shall be invoiced in terms of any expenses incurred.*

### **2.PRICES**

*The prices of products are indicated in the Seller's price list; Seller's written quotations are applicable when an order confirmation has been issued. In cases of price increases during the supply period, the Seller will promptly inform the purchaser, with detailed explanations, about the price adjustments.*

### **3.TERMS OF DELIVERY**

*The delivery date is as specified in the order confirmation. In the event of the unexpected (strikes, bad weather conditions, natural catastrophes etc.), delivery may be delayed at no additional charge to the Seller. Custom-made items or prearranged orders must be honored by the Purchaser in any event.*

### **4.CONSIGNMENT OF GOODS**

*Once the products have been dispatched, they will be considered ex-factory and the risk associated with the transport there of will become the responsibility of the Purchaser. Consignments under the control of the Seller, however, will be transported by Pizzirani partner carriers. Claims for missing or non-standard items must be sent by fax or e-mail within 8 days from the delivery date. Damaged items will be accepted by the Seller, without prejudice, once they have been examined.*

### **5.PACKAGING**

*Packaging will be the responsibility of the Purchaser, unless the Purchaser has entrusted this to the Seller, in which case Pizzirani will take all the necessary decisions on the packaging materials and dimensions to be used.*

### **6.RETURNED GOODS**

*Goods can only be returned with the Seller's pre-approval. In such an event, a charge of 15% of the gross value of the goods will be invoiced in order to cover the expenses occurred.*

### **7.WARRANTY**

*The Seller will replace defective items free of charge, upon examination by our technical staff. The warranty is not valid if the items are not installed or used in the manner prescribed by the Seller.*

### **8.RESPONSIBILITY**

*The Seller shall not be held liable for damages or accidents occurring during the use of its products.*

### **9.PAYMENT**

*The terms of payment as agreed between the Seller and the Purchaser are stated and become binding in the order confirmation. In the event of delayed payment, the Seller has the right to cease the supply of goods and will invoice a debit note at an interest rate of 3%.*

### **10.PROPERTY**

*All items shall remain the property of the Seller until full payment of the invoices has been realized.*

### **11.ARBITRATION**

*Any dispute or claim concerning commercial relations with the Seller shall be settled by arbitration in the Court of Siena (Italy).*







sede centrale



magazzino 2

# PI CLAMP



*Il nostro successo è la Qualità • Our success is the Quality*

**PIZZIRANI S.r.l.**

53034 COLLE DI VAL D'ELSA (SI) - Loc. San Marziale, 17/17A  
Tel. +39 0577 909047 / 909048 - Fax +39 0577 909049  
E-mail: [info@pizzirani.net](mailto:info@pizzirani.net) - [www.pizzirani.biz](http://www.pizzirani.biz) - [www.pibelt.com](http://www.pibelt.com)